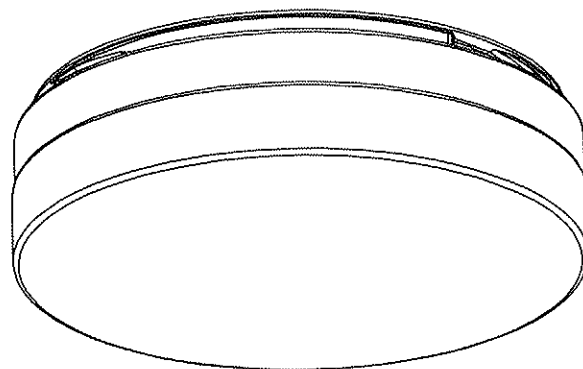
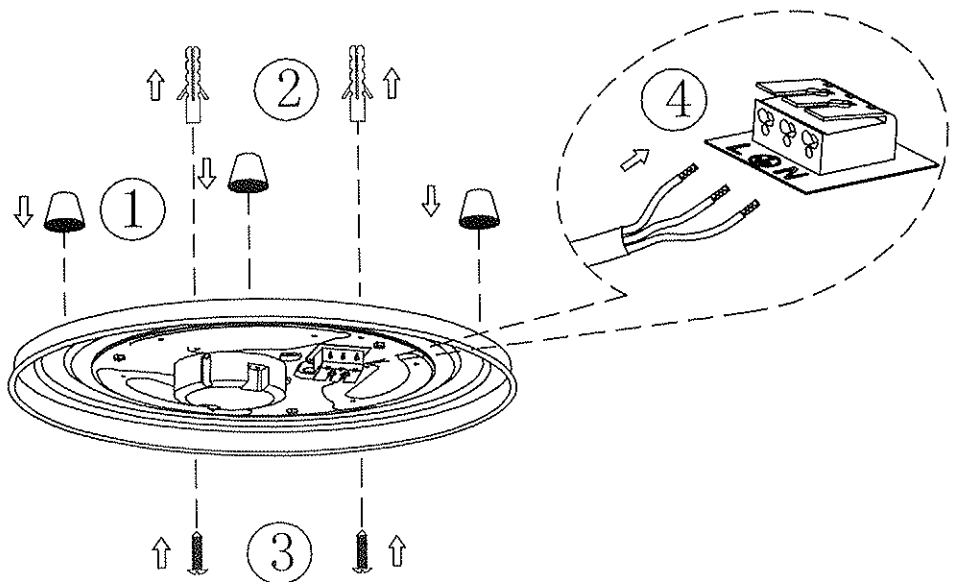
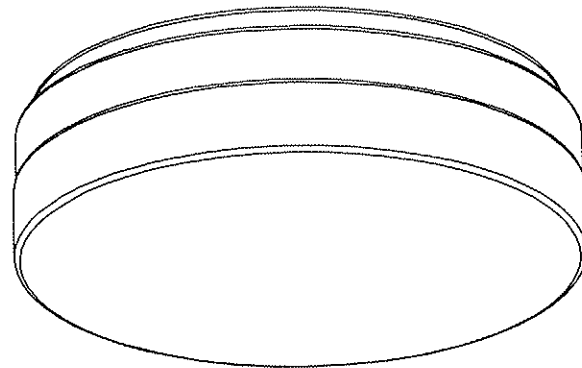


SPICA

DESIGN BY MARKSLÖJD

106728,106731



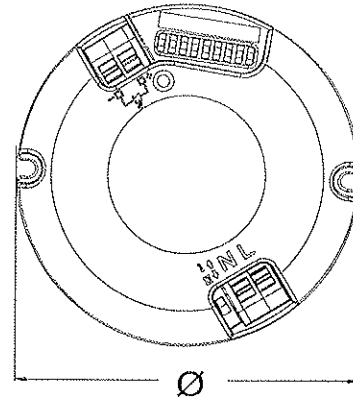
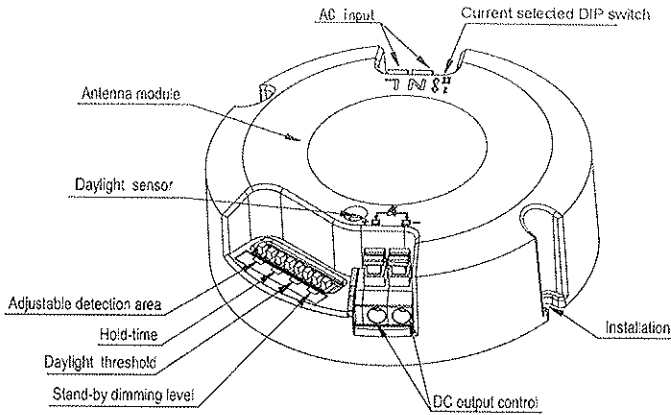
↑ ⑤

Markslojd Intertrade AB
Gränsvägen 5 S-511 62 Skene
Sweden
www.markslojdpro.com
info@markslojdpro.com



PRO

Technical Specifications



I	350mA
II	300mA

! Warning: Only use 300mA current! Before use, always check the DIP switch

Model NO.	MLC16C-P	Hold time	10s / 90S / 3min / 10min
Operating voltage	220~240Vac, 50/60Hz	Corridor function	0s/ 30s / 10min / Disable
Output constant current	300mA/ 350mA set via DIP switch	Daylight sensor	5lux / 15lux / 50Lux / Disable
Output voltage	28-48Vdc	Stand-by dimming level	20%, can be customized
Efficiency	≥80%	Mounting height	6m Max.
Power factor	≥0.9	Motion detection	0.5~3m/s
HF system	5.8GHz±75MHz, ISM wave band	Detection angle	150° (Wall installation) 360° (Ceiling installation)
Transmitting power	<0.5mW	Working temperature (Ta)	-20c ~ 45c
Power consumption	<1W(standby)	Size (ΦxH)	76x28.5mm
Detection sensitivity	10% / 50% / 75% / 100%		

Sensor Data Setting

By selecting the combination on the DIP switch, sensor data can be precisely set for each specific application.

ON		1	2	
	I	ON	ON	100%
	II	-	ON	75%
	III	ON	-	50%
IV	-	-	-	10%

Detection sensitivity

Detection area can be reduced by selecting the combination on the DIP switches to fit precisely each application.

ON		3	4	
	I	ON	ON	10s
	II	-	ON	90s
	III	ON	-	3min
IV	-	-	-	30min

Hold time

Refers to the time period the lamp remains at 100% illumination after no motion detected.

ON		5	6	
	I	ON	ON	Disable
	II	-	ON	50Lux
	III	ON	-	15Lux
IV	-	-	-	5Lux

Daylight sensor

The sensor can be set to only allow the lamp to illuminate below a defined ambient brightness threshold.

When set to Disable mode, the daylight sensor will switch on the lamp when motion is detected regardless of ambient light level.

50lux: twilight operation, 15lux, 5lux: darkness operation only.

ON		7	8	
	I	ON	ON	0s
	II	-	ON	30s
	III	ON	-	10min
IV	-	-	-	+∞

Corridor function (Stand-by period)

Refers to the time period the lamp remains at a low light level before it completely switches off in the long absence of people.

When set to "+∞", the low light is maintained until motion is detected.

When set to "0s", the light will turn off after hold time.

NOTE: Daylight sensor is active only when light totally switch off. That means, if set stand-by period on 'Disable' mode, the daylight sensor function will be not available.