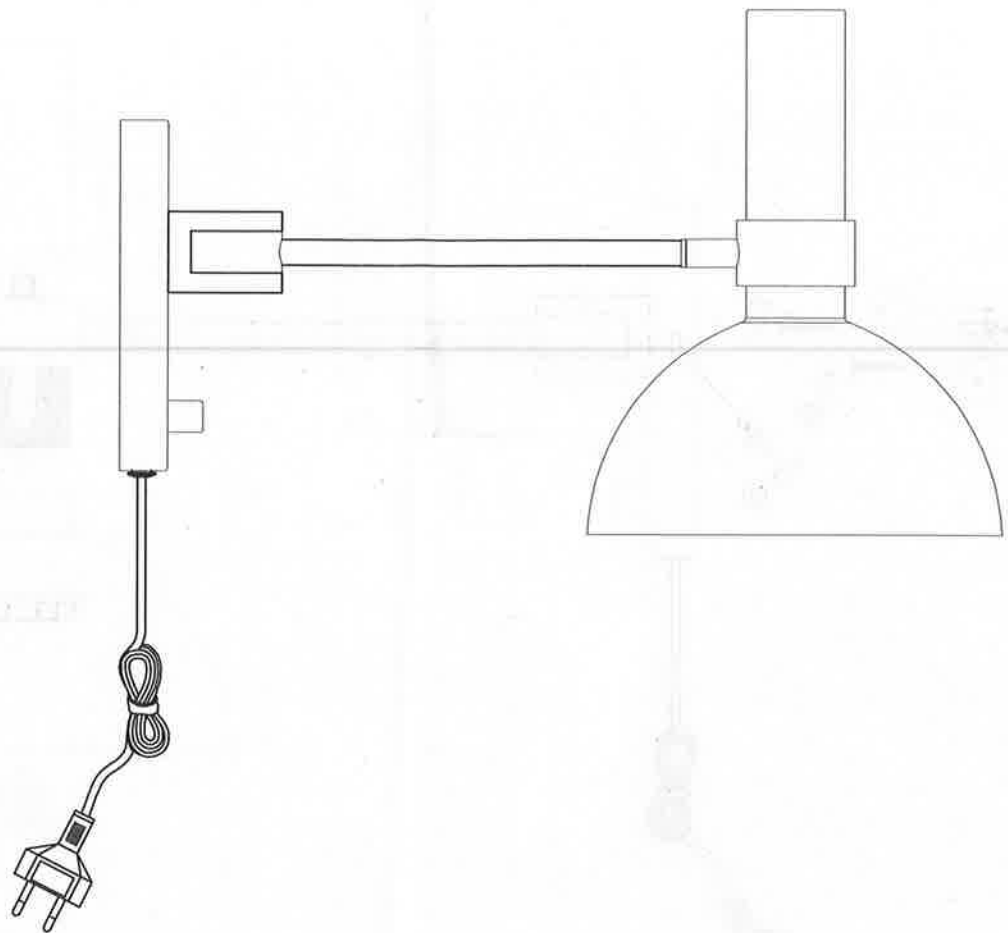


LARRY Wall 1L

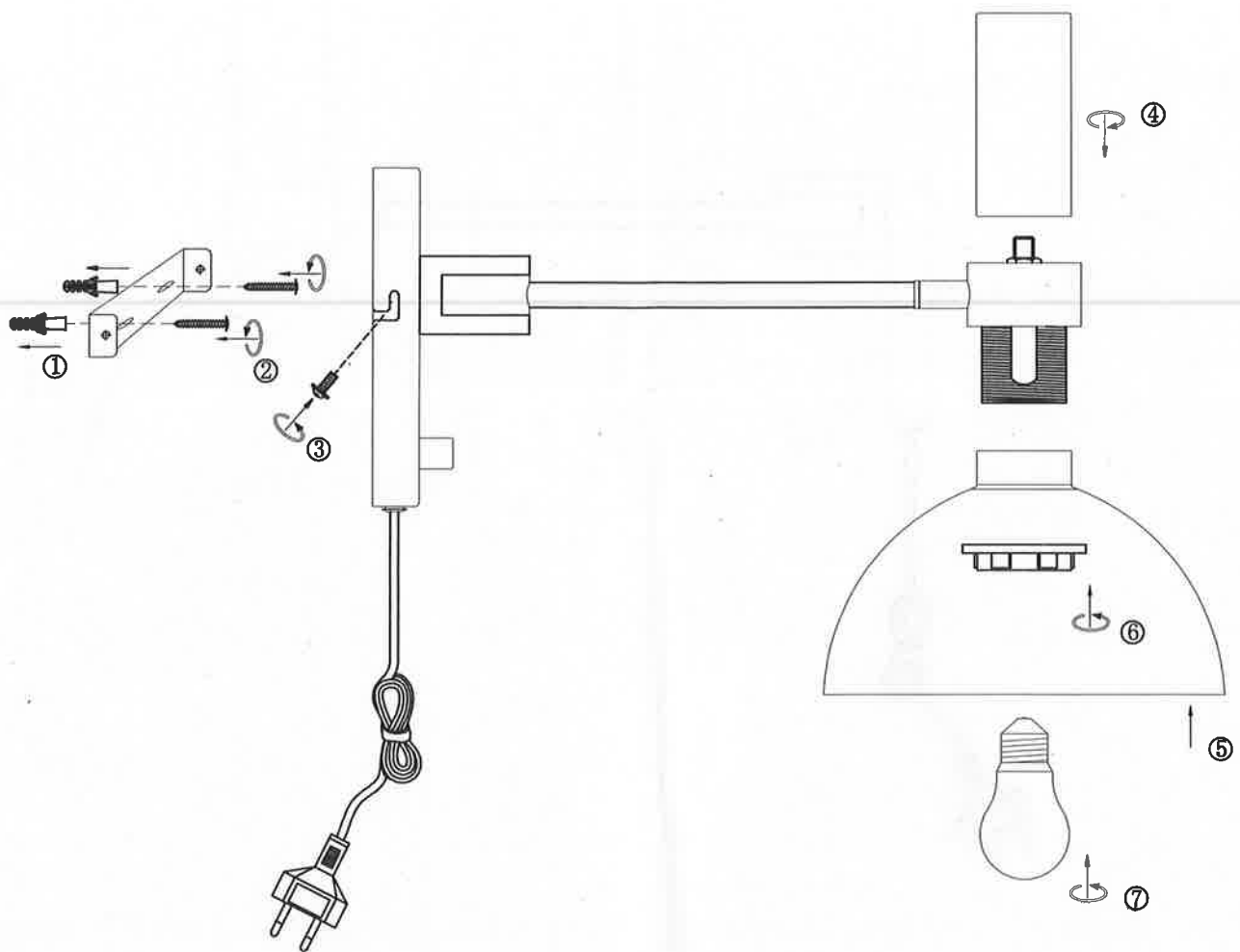
106853/106970



Markslöjd AB
Gränevägen 5 S-511 62 Skene
Sweden
www.markslojd.com



LARBY Wall II
100625V100970



Marked AB
Göteborgs 5 011 82 2100
Sweden
www.marked.com