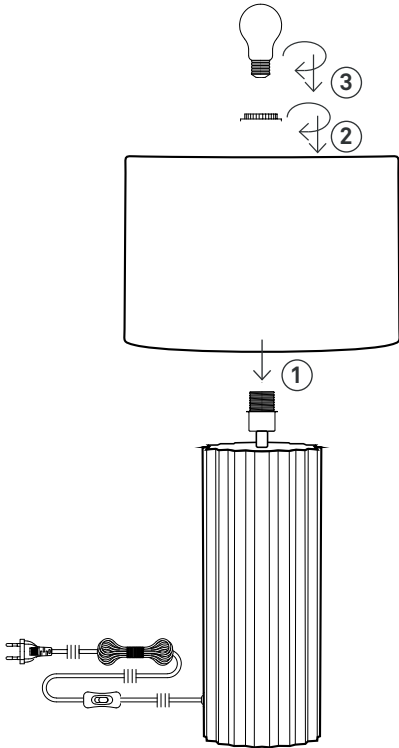




Instructions

Type nr: 20233-4



Contents

- A. Base in metal
- B. Shade in textile

Not included with purchase

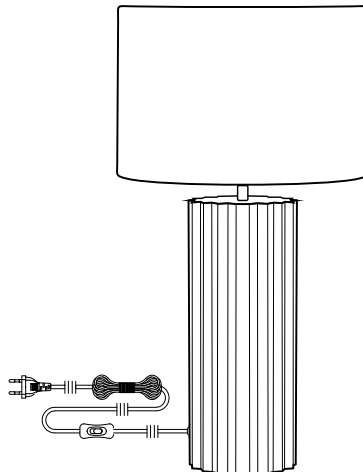
Light source E27 bulb, max 40W or 6W LED.

Remember to use a LED bulb. Led bulbs use up to 85% less electricity than a traditional light bulb.

Cleaning instructions

Product may be cleaned only after it has been switched off and cooled down. Prevent moisture from getting to the lamp connections or power supplying elements.

Wipe the surface with a soft, damp sponge or cloth and wipe immediately with a dry cloth. We do not recommend cleaning agents as they can cause staining. After cleaning, the lamp should be left off until it dries completely.



If you have any questions or comments, please reach out to us by e-mail:
info@markslojd.com

